

# SNV-L6013R

2M Vandal-Resistant Network IR Flat Camera

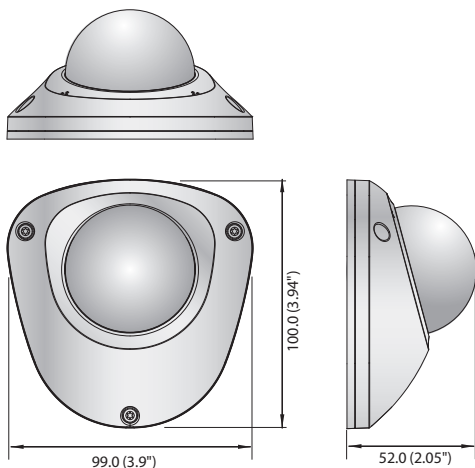


## Key Features

- Max. 2megapixel (1920 x 1080) resolution
- 30fps@all resolutions (H.264)
- 0.15Lux@F1.8 (Color), 0Lux@F1.8 (B/W : IR LED on)
- Built-in 3.6mm fixed lens
- H.264, MJPEG dual codec, Multiple streaming
- Motion detection, Tampering
- micro SD/SDHC memory slot, PoE
- IR viewable 15m, IP66, IK10
- Hallway view support (Rotate 90°/270°)
- LDC support (Lens Distortion Correction)

## Dimensions

Unit : mm (inch)



| SNV-L6013RN/P                     |  |
|-----------------------------------|--|
| <b>VIDEO</b>                      |  |
| Imaging Device                    | 1/2.9" 2.19M CMOS  |
| Total Pixels                      | 2,000(H) x 1,121(V)  |
| Effective Pixels                  | 1,984(H) x 1,105(V)  |
| Scanning System                   | Progressive  |
| Min. Illumination                 | Color : 0.15Lux (1/30sec, F1.8), 0.003Lux (2sec, F1.8)<br>B/W : 0Lux (IR LED on)   |
| <b>LENS</b>                       |  |
| Focal Length (Zoom Ratio)         | 3.6mm fixed  |
| Max. Aperture Ratio               | F1.8   |
| Angular Field of View             | H : 86.5° / V : 47.8° / D : 101.2°   |
| Min. Object Distance              | 0.5m (1.64ft)  |
| Lens Type                         | Fixed  |
| Mount Type                        | Board type   |
| <b>PAN / TILT / ROTATE</b>        |  |
| Pan / Tilt / Rotate Range         | -5° ~ 5° / 0° ~ 67° / 90°  |
| <b>OPERATIONAL</b>                |  |
| IR Viewable Length                | 15m (49.21ft)  |
| Camera Title                      | Off / On (Displayed up to 15 characters)   |
| Day & Night                       | True Day & Night   |
| Backlight Compensation            | Off / BLC  |
| Contrast Enhancement              | SSDR (Off / On)  |
| Digital Noise Reduction           | SSNR (Off / On)  |
| Motion Detection                  | Off / On (4ea rectangular zones)   |
| Privacy Masking                   | Off / On (6ea rectangular zones)   |
| Gain Control                      | Off / Low / Middle / High  |
| White Balance                     | ATW / AWC / Manual / Indoor / Outdoor  |
| LDC (Lens Distortion Correction)  | Off / On (5 levels with min / max)   |
| Electronic Shutter Speed          | Minimum / Maximum / Anti flicker   |
| Flip / Mirror                     | Flip / Mirror / Hallway view   |
| Intelligent Video Analytics       | Motion detection with metadata, Tampering  |
| Alarm Triggers                    | Motion detection, Tampering detection, SD card error, NAS error  |
| Alarm Events                      | File upload via FTP and E-mail, Local storage recording at event, Notification via E-mail  |
| <b>NETWORK</b>                    |  |
| Ethernet                          | RJ-45 (10/100BASE-T)   |
| Video Compression Format          | H.264, MJPEG   |
| Resolution                        | 1920 x 1080, 1280 x 960, 1280 x 720, 1024 x 768,<br>800 x 600, 720 x 576, 640 x 480, 320 x 240   |
| Max. Framerate                    | H.264 : Max. 30fps at all resolutions<br>MJPEG : Max. 1fps at 1920 x 1080, 1280 x 960, 1280 x 720, 1024 x 768,<br>Max. 15fps at other resolution   |
| Video Quality Adjustment          | H.264 : Target bitrate level control, MJPEG : Quality level control  |
| Bitrate Control Method            | H.264 : CBR or VBR, MJPEG : VBR  |
| Streaming Capability              | Multiple streaming (Up to 3 profiles)  |
| Audio I/O                         | Line-in  |
| Audio Compression Format          | G.711 u-law / G.726 selectable<br>G.726 (ADPCM) 8KHz, G.711 8KHz, G.726 : 16Kbps, 24Kbps, 32Kbps, 40Kbps   |
| Audio Communication               | Uni-directional audio  |
| IP                                | IPv4, IPv6   |
| Protocol                          | TCP/IP, UDP/IP, RTP (UDP), RTP (TCP), RTCP, RTSP, NTP, HTTP, HTTPS, SSL/TLS, DHCP, PPPoE, FTP, SMTP, ICMP, IGMP, SNMPv1/v2c/v3 (MIB-2), ARP, DNS, DDNS, QoS, PIM-SM, UPnP, Bonjour                           |
| Security                          | HTTPS (SSL) login authentication, Digest login authentication<br>IP address filtering, User access log, 802.1x authentication  |
| Streaming Method                  | Unicast / Multicast  |
| Max. User Access                  | 6 users at unicast mode  |
| Storage                           | micro SD/SDHC max. 32G, NAS<br>- Motion images recorded in the SD memory card can be downloaded<br>- Manual recording at local PC  |
| Application Programming Interface | ONVIF Profile S/G, SUNAPI (HTTP API)   |
| Webpage Language                  | English, French, German, Spanish, Italian, Chinese, Korean, Russian, Japanese, Swedish, Danish, Portuguese, Turkish, Polish, Czech, Rumanian, Serbian, Dutch, Croatian, Hungarian, Greek, Norwegian, Finnish |
| Web Viewer                        | Supported OS : Windows 7, 8, 10, Mac OS X 10.8, 10.9, 10.10, 10.11<br>Supported Browser : Explore 11, Mozilla Firefox 43, Apple Safari 9 * Mac OS X only SmartViewer   |
| Central Management Software       | SmartViewer  |
| <b>ENVIRONMENTAL</b>              |  |
| Operating Temperature / Humidity  | -30°C ~ +55°C (-22°F ~ +131°F) / Less than 90% RH<br>* Start up should be done at above -20°C (-4°F)   |
| Storage Temperature / Humidity    | -30°C ~ +60°C (-22°F ~ +140°F) / Less than 90% RH  |
| Ingress Protection                | IP66   |
| Vibration Resistance              | EN55011:2009+A1:2010, EN50581:2012, EN50121-3-2:2015, EN61000-4-2:2009, EN61000-4-3:2006+A2:2010, EN61000-4-4:2012, EN61000-4-5:2014, EN61000-4-6:2009, EN50155:2007, NEMA 4x                                |
| Vandal Resistance                 | IK10   |
| <b>ELECTRICAL</b>                 |  |
| Input Voltage / Current           | PoE (IEEE802.3af, Class2)  |
| Power Consumption                 | Max. 5.8W  |
| <b>MECHANICAL</b>                 |  |
| Color / Material                  | Ivory / Metal  |
| Dimensions (WxHxD)                | 99.0 x 52.0 x 100.0mm (3.9" x 2.05" x 3.94")   |
| Weight                            | 300g (0.66 lb)   |

\* Data recorded on an SD memory card may be lost or damaged by data access during power-off, mechanical shock, memory card detachment, or other operations. Data loss or damage can also occur when a memory card reaches end of life, which varies according to operational conditions. No guarantee is given against damage (including passive damage).

\* The latest product information / specification can be found at [www.hanwha-security.com](http://www.hanwha-security.com)