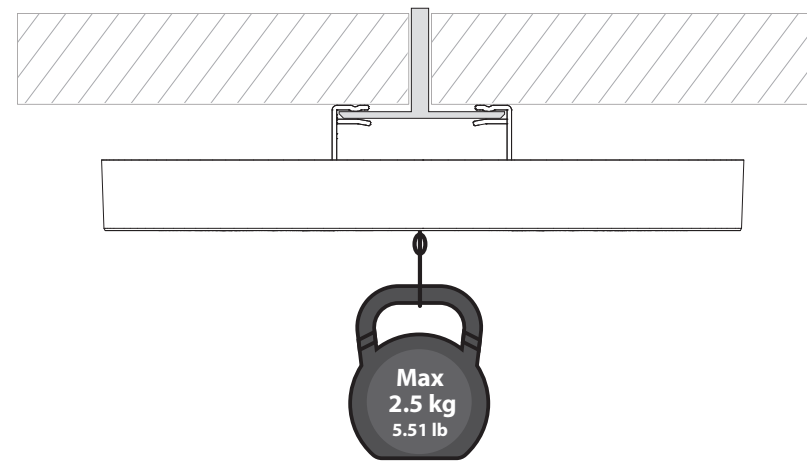


Tile Grid Ceiling Mount

SBP-140CMT

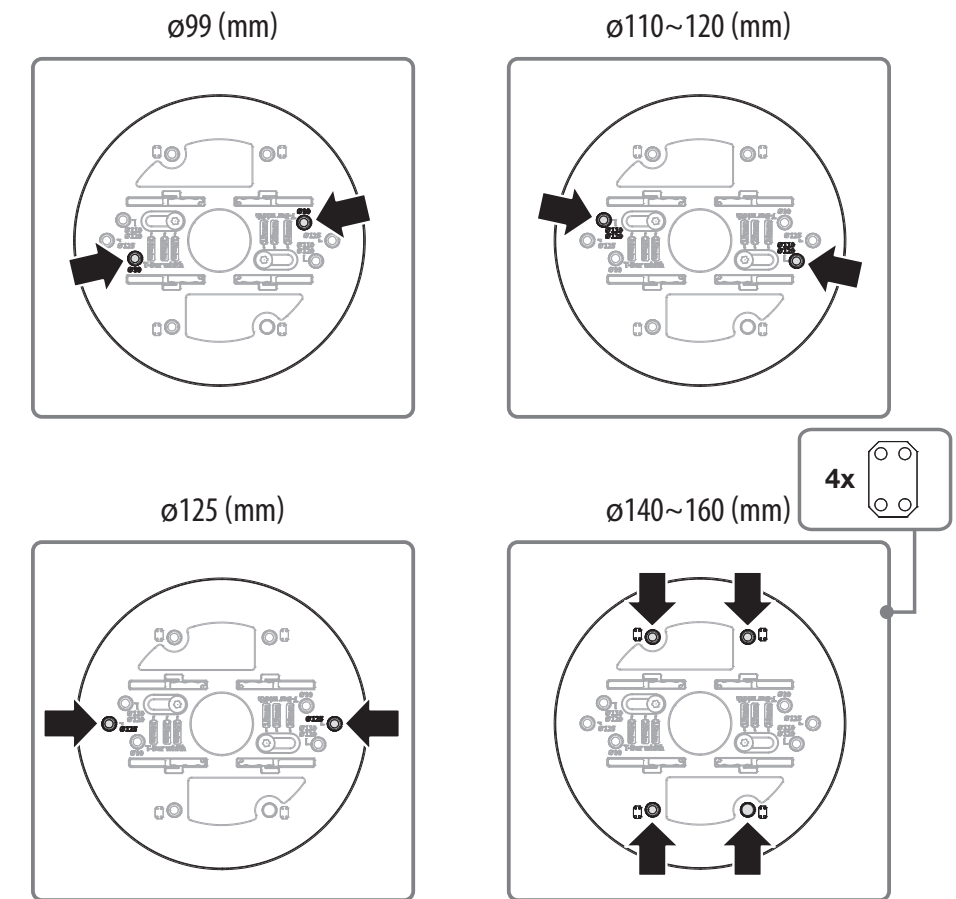


Installation Precautions

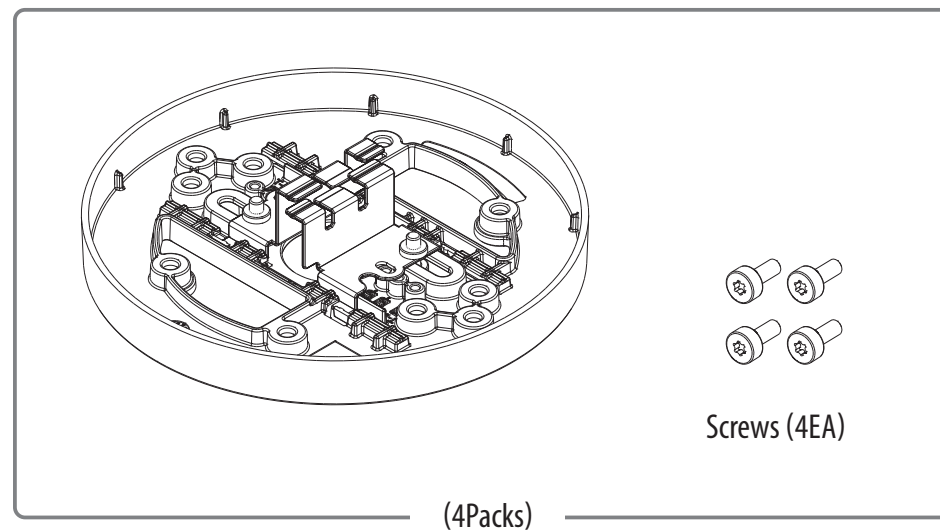


- Use the provided screws to install the Mount and camera.
- To move the location of the mount on T-bar, remove it completely and install the product again.

Mounting Hole by Camera Size

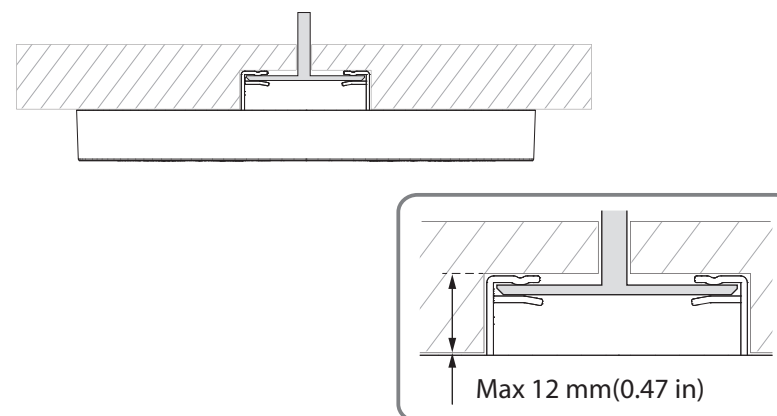


Package

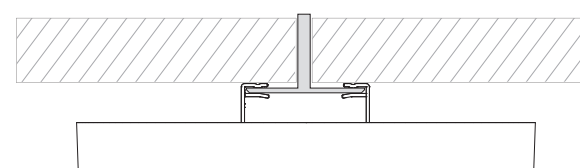


Mounting Standards

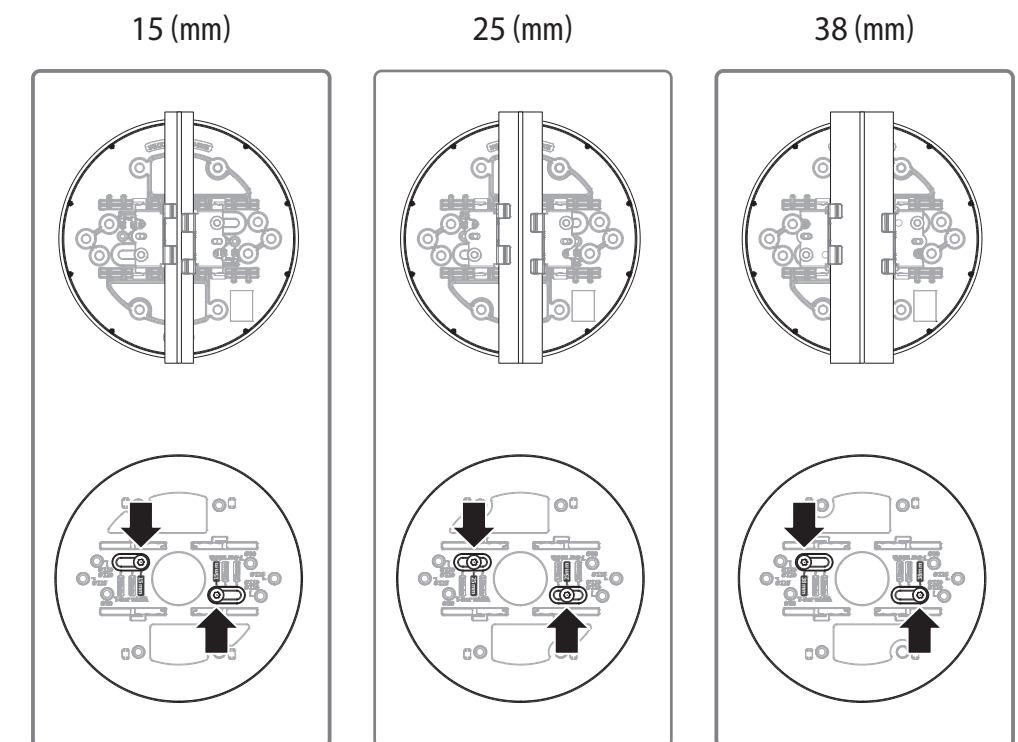
Tegular type



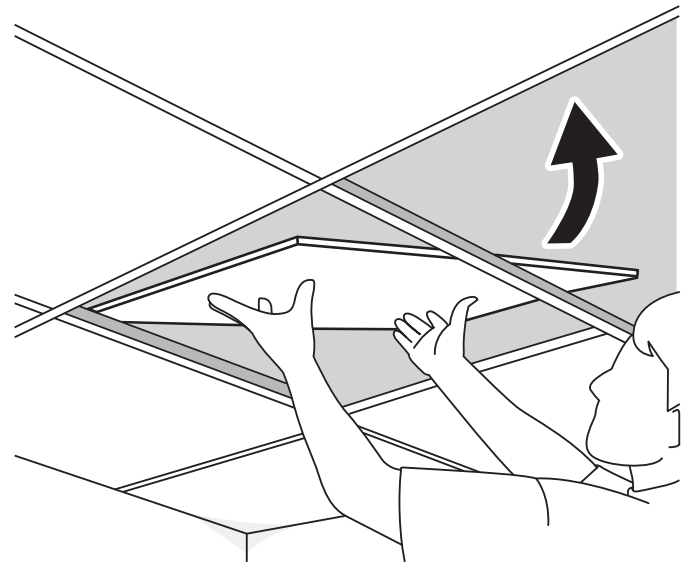
Lay-in type



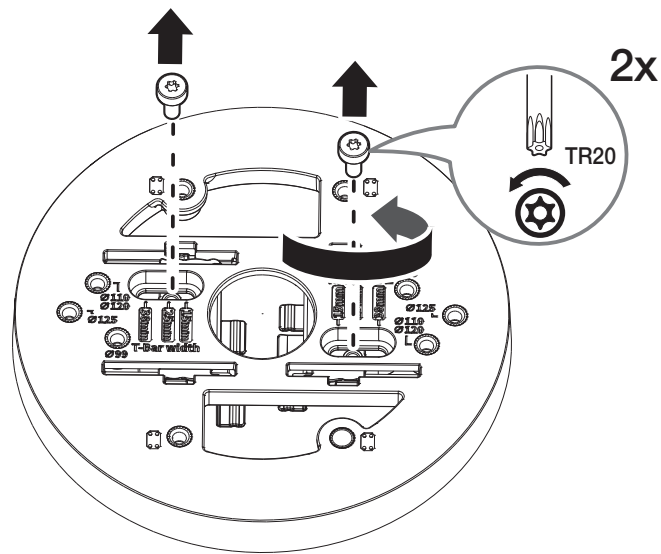
T-Bar width



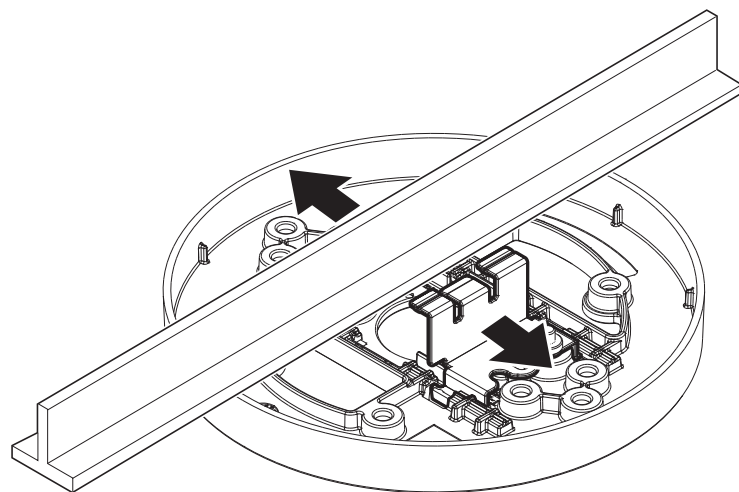
1



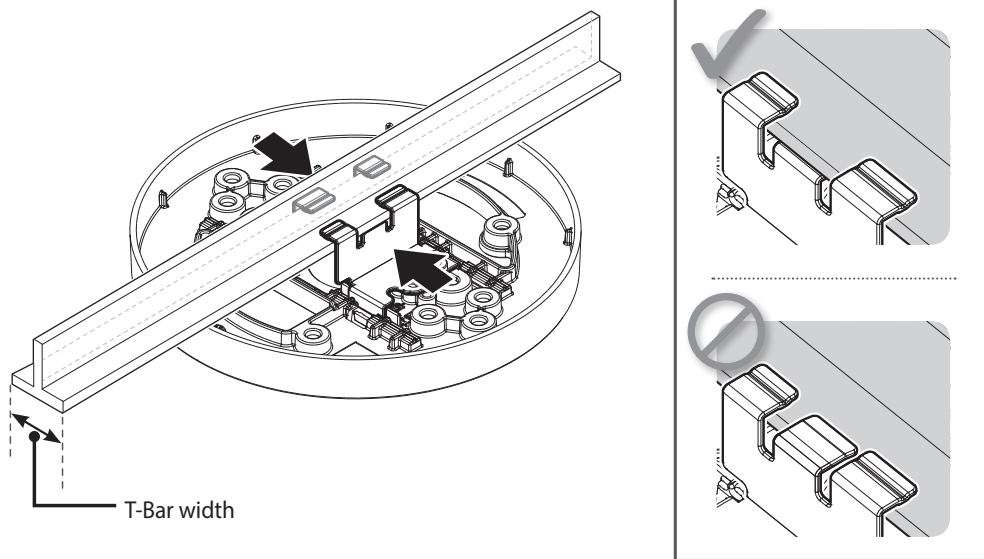
T-bar width : 38 mm



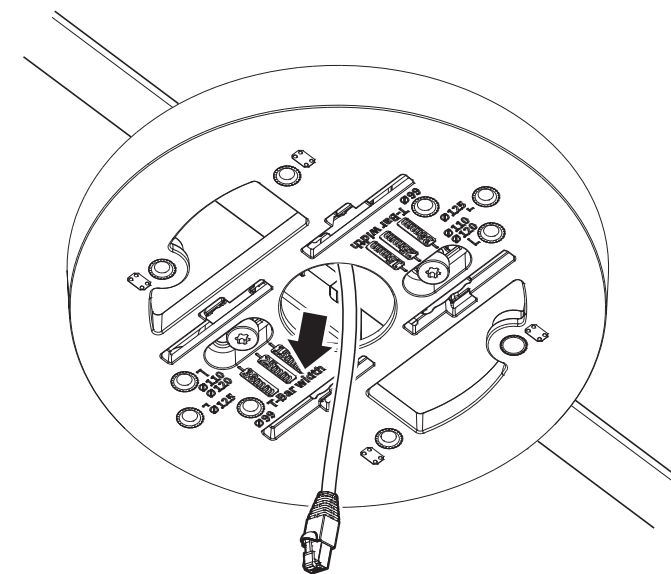
2



3

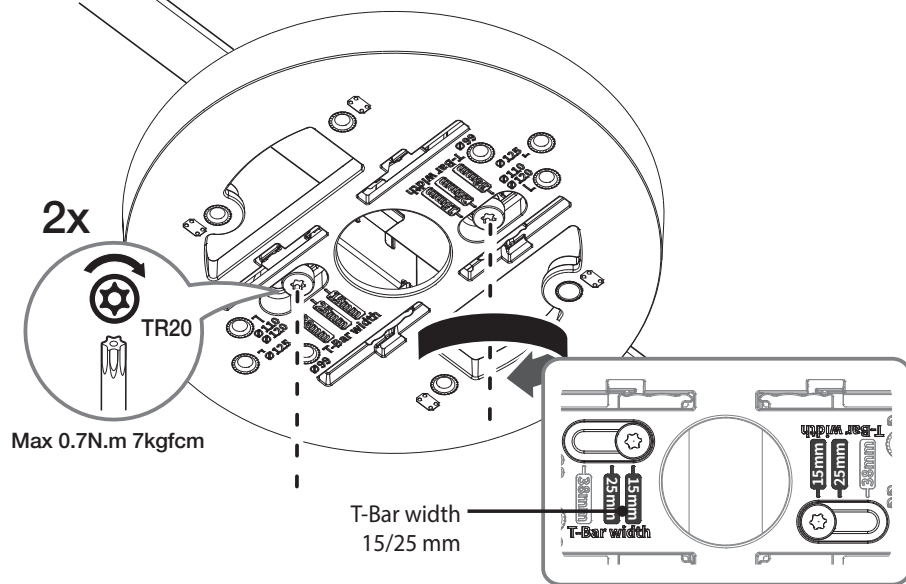


5

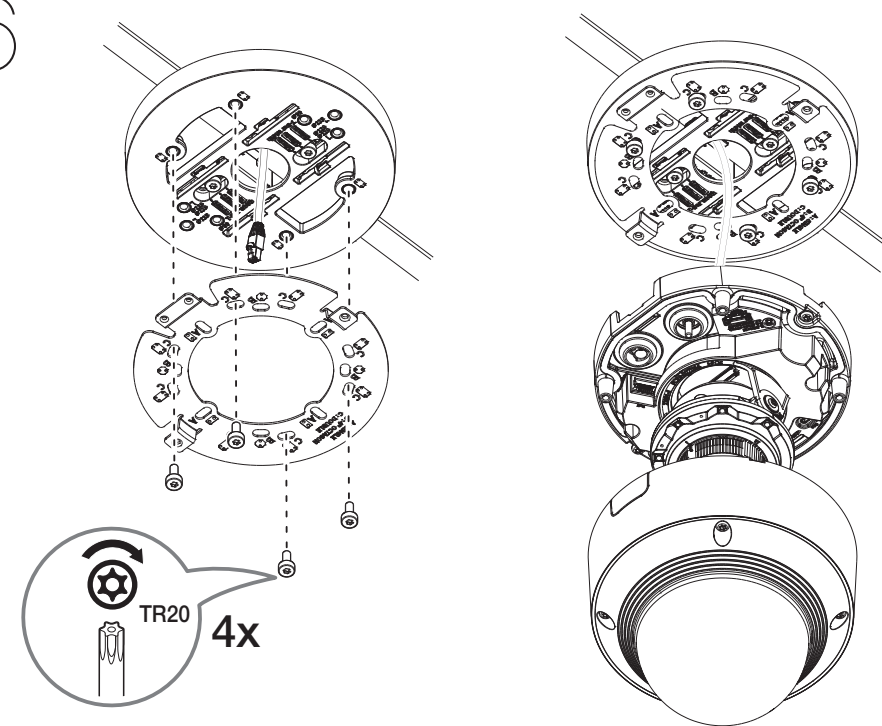


4-1

T-bar width : 15/25 mm

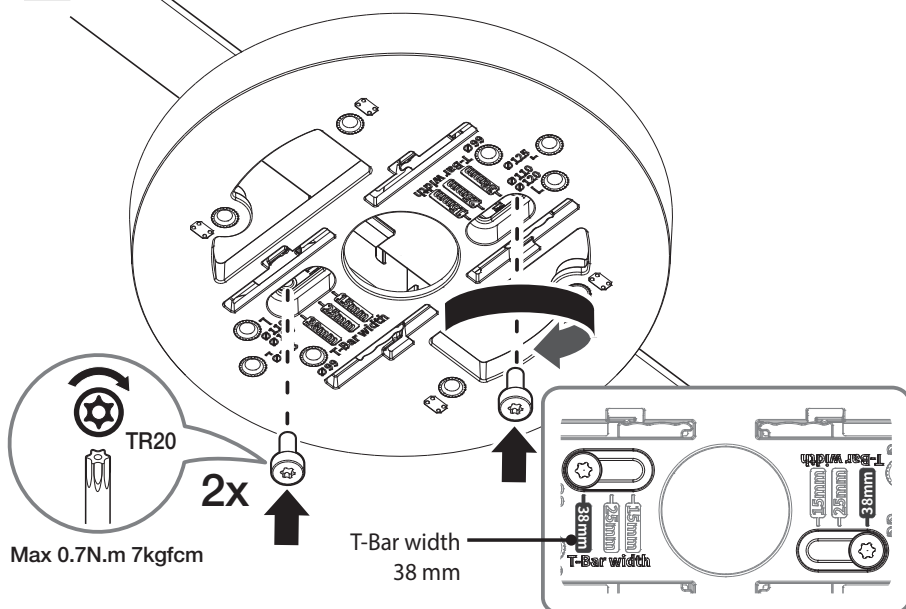


6



4-2

T-bar width : 38 mm



7

