



Network

Fisheye

# XNF-9010RS

Stainless IR Fisheye Camera



## Key Features

- 1/2.3" 12MP CMOS
- 1.08mm fixed focal lens
- Stereo graphic type lens - enhanced resolution for the peripheral regions
- H.265, H.264, MJPEG codec supported
- Fisheye, Single panorama, Double panorama, Quad view
- On board dewarping, Digital PTZ
- extreme WDR (120dB), WiseStream II support
- Wise IR - IR viewable length 8m (26.25ft)
- Virtual channel support
- Plugin support, selectable I/O port
- Video Analytics, Heatmap, People counting
- Queue management
- Stainless Steel
- Motion detection, Handover
- IP66, IP67, IP6K9K, NEMA4X, IK10, IK10+ (it can resist impacts of 40 joules), NSF/ANSI Standard 169 - Special Purpose Food Equipment and Devices



# XNF-9010RS

Stainless IR Fisheye Camera

## Specifications

### Video

|                          |   |
|--------------------------|---|
| <b>Imaging Device</b>    | 1/2.3" 12MP CMOS  |
| <b>Resolution</b>        | Original view(1:1): 3008x3008~480x480,<br>Double panorama(2:1): 3584x1792~640x320,<br>Single panorama(4:1): 3584x896~640x160,<br>Quad view: 3584x2688~640x480,<br>Q1/Q2/Q3/Q4(4:3): 1792x1344~640x480                             |
| <b>Max. Framerate</b>    | H.265/H.264:<br>Original view-Max.30fps/25fps@3008x3008(60Hz/50Hz),<br>Double panorama-Max.30fps/25fps@3584x1792(60Hz/50Hz)<br>Single panorama-Max.30fps/25fps@3584x896(60Hz/50Hz)<br>MJPEG: Max.30fps/25fps@1080x1080(60Hz/50Hz) |
| <b>Min. Illumination</b> | Color: 0.39 Lux (F2.2, 1/30sec), BW : 0Lux(IR LED on)   |
| <b>Video Out</b>         | CVBS : 1.0 Vp-p / 75Ω composite, 720x480(N), 720x576(P), for Installation<br>USB: Micro USB Type B, 1280x720 for installation   |

### Lens

|                                  |                             |
|----------------------------------|-----------------------------|
| <b>Focal Length (Zoom Ratio)</b> | 1.08mm fixed focal          |
| <b>Max. Aperture Ratio</b>       | F2.2                        |
| <b>Angular Field of View</b>     | H: 187° / V: 187° / D: 187° |
| <b>Min. Object Distance</b>      | 0.5m(1.64ft)                |
| <b>Focus Control</b>             | Simple focus                |

### Operational

|                                 |  |
|---------------------------------|--|
| <b>Camera Title</b>             | Displayed up to 85 characters  |
| <b>Day &amp; Night</b>          | Auto(ICR)  |
| <b>Backlight Compensation</b>   | BLC, HLC, WDR, SSSDR   |
| <b>Wide Dynamic Range</b>       | extremeWDR (120dB)   |
| <b>Digital Noise Reduction</b>  | SSNR V   |
| <b>Motion Detection</b>         | 8ea, 8point polygonal zones  |
| <b>Privacy Masking</b>          | 32ea, polygonal zones<br>- Color: Grey/Green/Red/Blue/Black/White<br>- Mosaic  |
| <b>Gain Control</b>             | Low / Middle / High  |
| <b>White Balance</b>            | ATW / Narrow ATW / AWC / Manual / Indoor / Outdoor   |
| <b>Electronic Shutter Speed</b> | Minimum / Maximum / Anti flicker (1/5~1/12,000sec)   |
| <b>Video Rotation</b>           | Flip, Mirror   |
| <b>Analytics</b>                | Defocus detection, Directional detection, Motion detection, Appear/Disappear, Enter/Exit, Loitering, Tampering, Virtual line, Audio detection, Sound classification      |
| <b>Business Intelligence</b>    | People counting, Queue management, Heatmap   |
| <b>Alarm I/O</b>                | 2 configured I/O   |
| <b>Alarm Triggers</b>           | Analytics, Network disconnect, Alarm input   |
| <b>Alarm Events</b>             | File upload via FTP and e-mail<br>Notification via e-mail<br>SD/SDHC/SDXC or NAS recording at event triggers<br>Alarm output<br>PTZ Preset<br>Handover<br>Audio playback |
| <b>Audio In</b>                 | Selectable(mic in/line in)<br>Supply voltage: 2.5VDC(4mA), Input impedance: 2K Ohm   |

|                           |                                    |
|---------------------------|------------------------------------|
| <b>Audio Out</b>          | Line out, Max. output level: 1Vrms |
| <b>IR Viewable Length</b> | 8m(26.25ft), Wise IR               |

## Network

|  |  |
|--|--|
| <b>Ethernet</b>                          | Metal shielded RJ-45(10/100BASE-T)   |
| <b>Video Compression</b>                 | H.265/H.264: Main/Baseline/High, MJPEG   |
| <b>Audio Compression</b>                 | G.711 u-law /G.726 Selectable<br>G.726(ADPCM) 8KHz, G.711 8KHz<br>G.726: 16Kbps, 24Kbps, 32Kbps, 40Kbps<br>AAC-LC: 48Kbps at 16KHz   |
| <b>Smart Codec</b>                       | Manual(Sea area), WiseStream II  |
| <b>Bitrate Control</b>                   | H.264/H.265: CBR or VBR<br>MJPEG: VBR  |
| <b>Streaming</b>                         | Unicast(20 users) / Multicast<br>Multiple streaming(Up to 10 profiles)   |
| <b>Protocol</b>                          | IPv4, IPv6, TCP/IP, UDP/IP, RTP(UDP), RTP(TCP), RTCP,RTSP, NTP, HTTP, HTTPS, SSL/TLS, DHCP, FTP, SMTP, ICMP, IGMP, SNMPv1/v2c/v3(MIB-2), ARP, DNS, DDNS, QoS, UPnP, Bonjour, LLDP, SRTP (TCP, UDP Unicast) |
| <b>Security</b>                          | HTTPS(SSL) Login Authentication<br>Digest Login Authentication<br>IP Address Filtering<br>User access log<br>802.1X Authentication(EAP-TLS, EAP-LEAP)<br>Device Certificate(Hanwha Techwin Root CA)        |
| <b>Application Programming Interface</b> | ONVIF Profile S/G/T<br>SUNAPI(HTTP API)<br>Wisenet open platform   |

## General

|                         |  |
|-------------------------|--|
| <b>Webpage Language</b> | English, Korean, Chinese, French, Italian, Spanish, German, Japanese, Russian, Swedish,, Portuguese, Czech, Polish, Turkish, Dutch, Hungarian, Greek |
| <b>Edge Storage</b>     | Micro SD/SDHC/SDXC 2slot 1TB(512GBx2)  |
| <b>Memory</b>           | 4096MB RAM, 512MB Flash  |

## Environmental & Electrical

|   |  |
|---|--|
| <b>Operating Temperature / Humidity</b> | -40°C ~ +50°C (-40°F ~ +122°F) / Less than 95% RH  |
| <b>Storage Temperature / Humidity</b>   | -50°C ~ +60°C(-58°F ~ +140°F) / Less than 95% RH   |
| <b>Certification</b>                    | IP66, IP67, IP6K9K, NEMA4X, IK10, IK10+(it can resist impacts of 40 joules), NSF/ANSI Standard 169 – Special Purpose Food Equipment and Devices. |
| <b>Input Voltage</b>                    | PoE(IEEE802.3af, Class3), 12VDC  |
| <b>Power Consumption</b>                | PoE: Max 12.95W, typical 11W<br>12VDC: Max 11W, typical 9.1W   |

## Mechanical

|  |  |
|--|--|
| <b>Color / Material</b>                  | Silver / Stainless(SUS316L), Nylon dome bubble |
| <b>RAL Code</b>                          | RAL9003  |
| <b>Product Dimensions / Weight</b>       | ø167.9 x 72.1mm(6.610x28.38"), 2,980g(6.57lb)  |
| <b>Compatible Conduit hole / Gangbox</b> | Single, Double, 4"Octagon, Square              |
| <b>Hanging Mount (Dome)</b>              | SBB-300HMS6                                    |

## DORI (EN62676-4 standard)

|                                  |                 |
|----------------------------------|-----------------|
| <b>Detect (25PPM/ 8PPF)</b>      | 34.9m(114.49ft) |
| <b>Observe (63PPM/ 19PPF)</b>    | 13.9m(45.60ft)  |
| <b>Recognize (125PPM/ 38PPF)</b> | 7.0m(22.96ft)   |
| <b>Identify (250PPM/ 76PPF)</b>  | 3.5m(11.48ft)   |

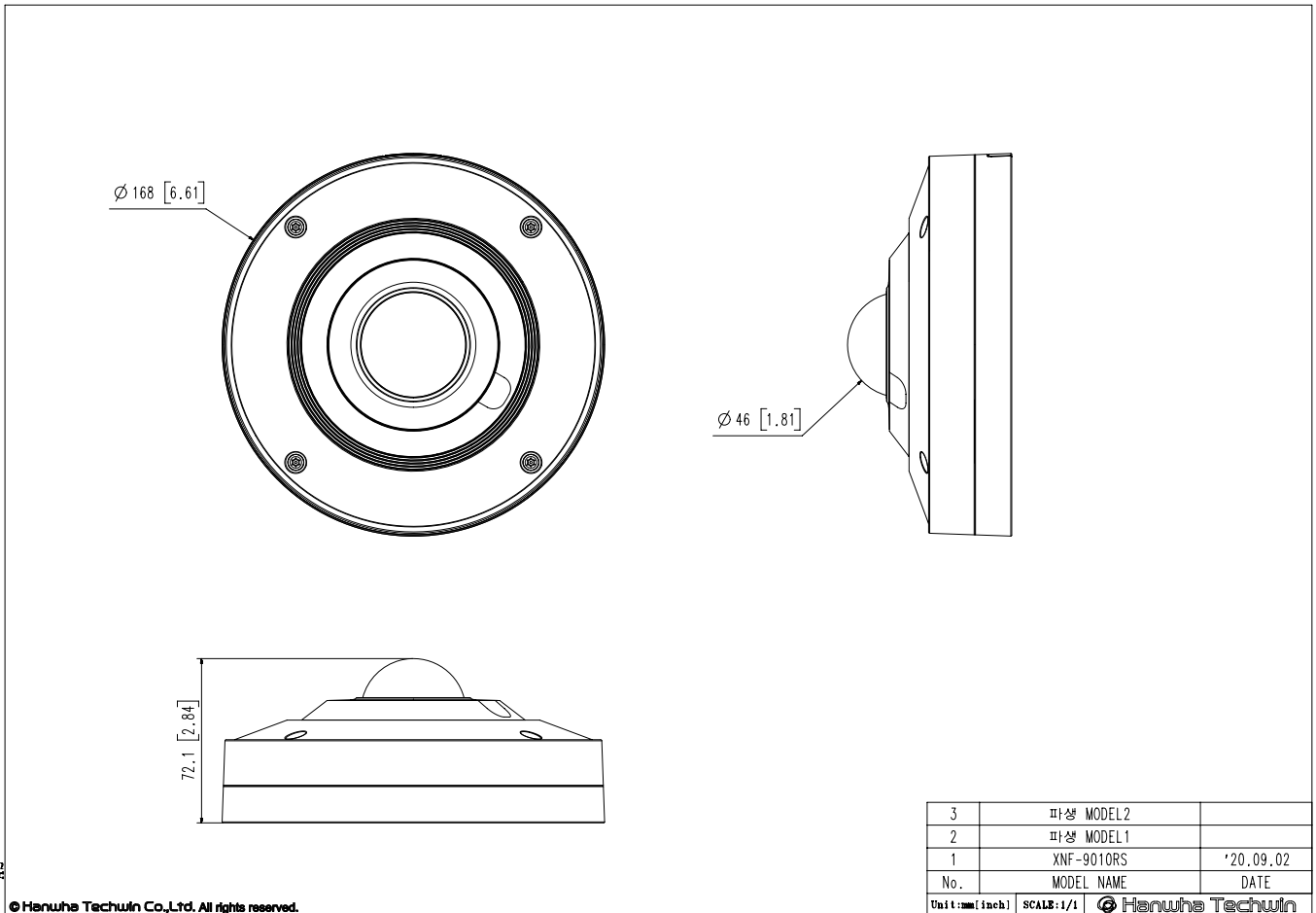
# XNF-9010RS

Stainless IR Fisheye Camera



Unit: mm [inch]

CAD



A2

© Hanwha Techwin Co., Ltd. All rights reserved.