

# XND-6083RV

2MP AI IR Dome Camera



FC |  | CE | EAC

## Key Features

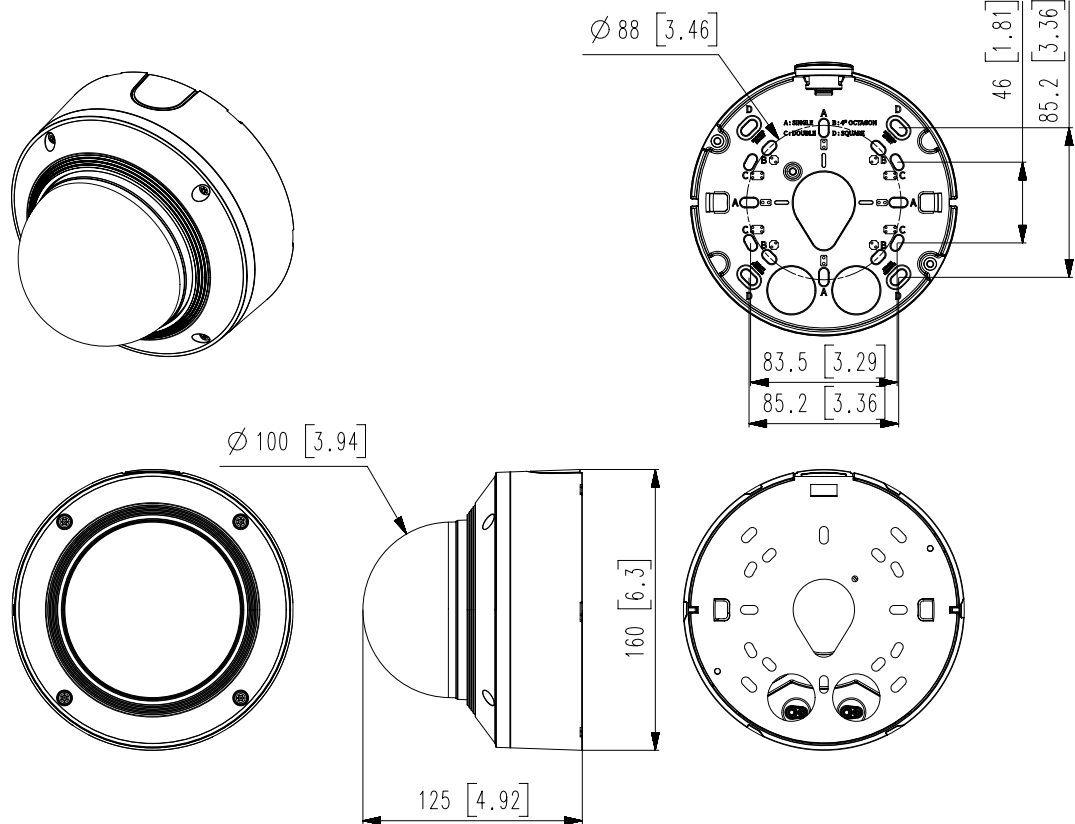
- 2MP resolution
- 2.8~12mm (4.3x) motorized varifocal
- Color: 0.01 Lux (F1.4, 1/30sec, 30IRE), 0 Lux (IR LED on)
- Maximum 120fps (H.265/H.264)
- WiselR: IR viewable length 50 m (164.04ft)
- Day & Night (ICR), extremeWDR (150 dB)
- Hard-coated dome bubble
- WiseNR II (Based on AI engine), WiseStreamIII (Based on AI engine)
- Analytics events based on AI engine (NPU) : Object detection (Person/Face/Vehicle - car, truck, bus, bicycle, motorcycle/License plate),  
IVA (Virtual line/Area, Enter/Exit, Loitering, Direction, Intrusion)
- Analytics events : Defocus detection, Motion detection, Tampering, Fog detection  
Audio detection, Sound classification, Shock detection, Appear/Disappear
- IP52, IK10

Video	
Imaging Device	1/2.8" progressive CMOS
Resolution	1920x1080, 1280x1024, 1280x960, 1280x720, 1024x768, 800x600, 800x448, 720x576, 720x480, 640x480, 640x360, 320x240
Max. Framerate	H.265/H.264: Max. 120fps/100fps(60Hz/50Hz)(WDR off) Max. 60fps/50fps(60Hz/50Hz)(WDR on) MJPEG: Max. 30fps/25fps(60Hz/50Hz)
Min. Illumination	Color: 0.01Lux(F1.4, 1/30sec, 30IRE) B/W : 0.001Lux(F1.4, 1/30sec, 30IRE), 0Lux(IR LED on), 30/25fps  Color: 0.02Lux(F1.4, 1/60sec, 30IRE) B/W : 0.002Lux(F1.4, 1/60sec, 30IRE), 0Lux(IR LED on), 60/50fps  Color: 0.04Lux(F1.4, 1/120sec, 30IRE) B/W : 0.004Lux(F1.4, 1/120sec, 30IRE), 0Lux(IR LED on), 120/100fps
Video Out	CVBS: 1.0 Vp-p / 75Ω composite, 720x480(N), 720x576(P) for installation USB: Micro USB Type B, 1280x720 for installation
Lens	
Focal Length (Zoom Ratio)	2.8~12mm(4.3x) motorized varifocal
Max. Aperture Ratio	F1.4(Wide) ~ F3.6(Tele)
Angular Field of View	H : 119.5°(Wide) ~ 27.9°(Tele) V : 62.8°(Wide) ~ 15.7°(Tele) D : 142.1°(Wide) ~ 32.0°(Tele)
Min. Object Distance	0.5m(1.64ft)
Focus Control	Simple focus, Manual
Lens Type	DC auto iris with hall sensor (IR corrected)
Pan / Tilt / Rotate	
Pan / Tilt / Rotate Range	0°~360° / -45°~85° / 0°~355°
Operational	
Camera Title	Displayed up to 85 characters
Day & Night	Auto(ICR)
Backlight Compensation	BLC, HLC, WDR, SSSDR
Wide Dynamic Range	extremeWDR (150dB)
Digital Noise Reduction	WiseNR II (Based on AI engine), SSNR V
Digital Image Stabilization	Support(built-in gyro sensor)
Defog	Support
Motion Detection	8ea, 8point Polygonal zones
Privacy Masking	32ea, Quadrangle zones - Color : Gray, Green, Red, Blue, Black, White - Mosaic
Gain Control	Support
White Balance	ATW / Narrow ATW / AWC / Manual / Indoor / Outdoor
LDC	Support (Fill/stretch mode)

<b>Electronic Shutter Speed</b>	Minimum / Maximum / Anti flicker (2~1/12,000sec) Prefer shutter control(Based on AI engine)
<b>Video Rotation</b>	Flip, Mirror, Hallway view(90°/270°)
<b>Analytics</b>	- Analytics events based on AI engine : Object detection (Person/Face/Vehicle(car/bus/truck/motorcycle/bicycle)/License plate), IVA (Virtual line/Area, Enter/Exit, Loitering, direction, Appear/Disappear, intrusion) - Analytics events : Defocus detection, Motion detection, Tampering, Fog detection, Audio detection, Sound classification, Shock detection
<b>Business Intelligence</b>	Based on AI engine : People counting, Queue management, Heatmap
<b>Alarm I/O</b>	2 configurable I/O ports, DC 12V output(Max. 50mA)
<b>Alarm Triggers</b>	Analytics, Network disconnect, Alarm input, App event, Time schedule
<b>Alarm Events</b>	When alarm trigger occurred - File upload(image) : e-mail/FTP - Notification : e-mail - Recording : SD/SDHC/SDXC or NAS recording at event triggers - Alarm output - Handover(PTZ preset, Send message by HTTP/HTTPS/TCP) - Audio clip playback
<b>Audio In</b>	Selectable(mic in/line in/built-in MIC) Supply voltage: 2.5VDC(4mA), Input impedance: 2K Ohm
<b>Audio Out</b>	Line out, Max.output level: 1Vrms
<b>IR Viewable Length</b>	WiseIR 50m(164.04ft)
<b>Network</b>	
<b>Ethernet</b>	Metal shielded RJ-45(10/100/1000BASE-T)
<b>Video Compression</b>	H.265/H.264: Main/High, MJPEG
<b>Audio Compression</b>	G.711 u-law /G.726 Selectable G.726(ADPCM) 8KHz, G.711 8KHz G.726: 16Kbps, 24Kbps, 32Kbps, 40Kbps AAC-LC: 48Kbps at 16KHz
<b>Smart Codec</b>	Manual(5ea area), WiseStream II , WiseStreamIII(Based on AI engine)
<b>Bitrate Control</b>	H.264/H.265: CBR or VBR MJPEG: VBR
<b>Streaming</b>	Unicast(20 users) / Multicast Multiple streaming(Up to 10 profiles, 3 virtual channel support)
<b>Protocol</b>	IPv4, IPv6, TCP/IP, UDP/IP, RTP(UDP), RTP(TCP), RTCP,RTSP, NTP, HTTP, HTTPS, SSL/TLS, DHCP, FTP, SMTP, ICMP, IGMP, SNMPv1/v2c/v3(MIB-2), ARP, DNS, DDNS, QoS, UPnP, Bonjour, LLDP, SRTP (TCP, UDP Unicast)
<b>Security</b>	TPM 2.0 (FIPS 140-2 level 2) HTTPS(SSL) Login Authentication Digest Login Authentication IP Address Filtering User access log 802.1X Authentication(EAP-TLS, EAP-LEAP, EAP-PEAP MSCHAPv2) Device Certificate(Hanwha Techwin Root CA, pre-installed) Secure by default certificate Secure OS/Boot/Storage, Verify firmware forgery
<b>Application Programming Interface</b>	ONVIF Profile S/G/T SUNAPI(HTTP API) Wisenet open platform

<b>General</b>	
<b>Webpage Language</b>	English, Korean, Chinese, French, Italian, Spanish, German, Japanese, Russian, Swedish,, Portuguese, Czech, Polish, Turkish, Dutch, Greek, Hungarian
<b>Edge Storage</b>	Micro SD/SDHC/SDXC 2slot Max. 1TB (512GB * 2)
<b>Memory</b>	2GB RAM, 512MB Flash
<b>Environmental &amp; Electrical</b>	
<b>Operating Temperature / Humidity</b>	-25 °C ~ 50 °C(-13°F ~ +122°F) * Maximum temperature : +55°C (intermittent) less than 95% RH(non-condensing) Humidity control /w GORE vent
<b>Storage Temperature / Humidity</b>	-50°C ~ +60°C(-58°F ~ +140°F) / Less than 90% RH
<b>Certification</b>	IP52, IK10
<b>Input Voltage</b>	PoE+(IEEE802.3at, Class4), 12VDC
<b>Power Consumption</b>	PoE+: Max 22.5W, typical 17.9W 12VDC: Max 20.0W, typical 15.6W Power redundancy failover
<b>Mechanical</b>	
<b>Color / Material</b>	White / Aluminum Hard-coated dome bubble
<b>RAL Code</b>	RAL9003
<b>Product Dimensions / Weight</b>	Ø160x125mm(6.30x4.92"), 1600g(3.53 lb)
<b>Compatible Conduit hole / Gangbox</b>	1/2" (M20) single, double, 4" octagon, 4" square
<b>DORI</b>	
<b>Detect (25PPM/ 8PPF)</b>	Wide: 22.4m(73.47ft) / Tele: 154.6m(507.18ft)
<b>Observe (63PPM/ 19PPF)</b>	Wide: 9.0m(29.39ft) / Tele: 61.8m(202.87ft)
<b>Recognize (125PPM/ 38PPF)</b>	Wide: 4.5m(14.69ft) / Tele: 30.9m(101.44ft)
<b>Identify (250PPM/ 76PPF)</b>	Wide: 2.2m(7.35ft) / Tele: 15.5m(50.72ft)

- The latest product information / specification can be found at [hanwha-security.com](http://hanwha-security.com)
- Design and specifications are subject to change without notice.
- Wisenet is the proprietary brand of Hanwha Techwin, formerly known as Samsung Techwin.



16		
15	XND-9083RV	21.05.25
14	XND-8093RV	21.05.25
13	XND-8083RV	21.05.25
12	XND-6083RV	21.05.25
11	PND-A6081RV	21.02.08
10	XND-9082RV	19.12.18
9	XND-8082RV	19.12.18
8	XND-8081REV	19.12.18
7	XND-6081REV	19.12.18
6	PND-A9081R	19.09.27
5	XND-8081RV	19.09.27
4	XND-6081RV	19.09.27
3	XND-6081V	19.09.27
2	XND-8081VZ	19.09.27
1	XND-6081VZ	19.09.27
No.	MODEL NAME	DATE
Unit:mm[inch] SCALE:1/1		© Hanwha Techwin