



Network

Bullet

TNO-A26081

Ultra-resolution 26MP T AI camera



Key Features

- High resolution 26MP(max. resolution 6240x4160)
- Max. 30fps @ all resolutions (H.265, H.264, MJPEG)
- Diagonal 28.3mm 1.8" CMOS
- 55~250mm(4.54x) manual varifocal lens
- AI enabled features(Object detection, Virtual line(Crossing/Direction), Virtual area(Loitering/Intrusion/Enter/Exit), Motion detection, Bestshot per object)
- Hallway View, WiseStreamIII (Based on AI engine)
- PoE++(IEEE802.3bt type3, Class6), 12VDC
- IP66/IP67, IK10, NEMA4X
- TPM with FIPS 140-3 level 3

TNO-A26081

Ultra-resolution 26MP T AI camera



Specifications

Video	
Imaging Device	Diagonal 28.3mm 1.8" CMOS
Resolution	6240x4160(WiseAI off 30fps, WiseAI on 20fps), 3840x2160, 2880x1920, 1920x1280, 1600x1200, 1440x960, 1280x800, 1024x768, 1280x720, 720x480, 640x480
Max. Framerate	H.265/H.264: Max. 30fps MJPEG: Max. 30fps(@26MP Max. 1fps)
Min. Illumination	Color : 0.2Lux(F4.0, 1/30sec) B/W : 0.02Lux(F4.0, 1/30sec)
Video Out	USB: Micro USB Type C, 1280x720 for installation
Lens	
Focal Length (Zoom Ratio)	55~250mm(4.54x) manual varifocal
Max. Aperture Ratio	F4(Wide)~F5.6(Tele)
Angular Field of View	H: 24°(Wide)~5.4°(Tele) V: 16°(Wide)~3.6°(Tele) D: 29°(Wide)~6.5°(Tele)
Min. Object Distance	0.85m (2.8ft)
Focus Control	Simple focus
Lens Type	Canon EF-S 55~250mm F4-5.6 IS STM
Mount Type	Canon EF-S
Operational	
Camera Title	Displayed up to 85 characters
Day & Night	Auto(ICR)
Backlight Compensation	BLC, SDDR
Digital Noise Reduction	SSNR V , WiseNR II (Based on AI engine)
Motion Detection	8ea, 8point Polygonal zones
Privacy Masking	6ea, Rectangular - Color: Gray/Black/White
Gain Control	Low / Middle / High
White Balance	ATW / AWC / Manual / Indoor / Outdoor
Electronic Shutter Speed	Minimum / Maximum / Anti flicker (1/5~1/12,000sec) Prefer shutter control(Based on AI engine)
Video Rotation	Flip, Mirror, Hallway view(90°/270°)
Analytics	Classified object type : Person/Face/Vehicle/License plate Attributes : Person(Gender, Color and Bag), Face(Age, Gender, Mask and Glasses), Vehicle(Type:car/bus/truck/motorcycle/bicycle and Color) Support Bestshot per object Analytics events based on AI engine - Object detection, Virtual line*(Crossing/Direction), Virtual area*(Loitering/Intrusion/Enter/Exit), Motion detection Analytics events - Defocus detection, Tampering, Audio detection, Virtual area(Appear/Disappear) *Some of the video analytics only works with people and vehicle detection
Business Intelligence	Based on AI engine: People counting, Queue management, Heatmap, Vehicle counting
Alarm I/O	2 configurable I/O ports

Design and specifications are subject to change without notice. The latest product information / specification can be found at HanwhaVision.com.

Hanwha Vision is formerly known as Hanwha Techwin.

Alarm Triggers	Analytics, Network disconnect, Alarm input, Time schedule, MQTT subscription
Alarm Events	When alarm trigger occurred - File upload(image/video clip): e-mail/FTP/SFTP - Notification: e-mail - Recording: SD/SDHC/SDXC or NAS recording at event triggers - Alarm output - Handover: PTZ preset, send message by HTTP/HTTPS/TCP - Audio clip playback - MQTT: publication
Audio In	Selectable(mic in/line in) Supply voltage: 2.5VDC(4mA), Input impedance: 2K Ohm
Audio Out	Line out, Max.output level: 1Vrms
Network	
Ethernet	Metal shielded RJ-45(10/100/1000 BASE-T), SFP slot(100/1000Mbps)
Video Compression	H.265/H.264: Main/High, MJPEG
Audio Compression	G.711 u-law /G.726 Selectable G.726(ADPCM) 8KHz, G.711 8KHz G.726: 16Kbps, 24Kbps, 32Kbps, 40Kbps AAC-LC: 48Kbps at 16KHz
Smart Codec	Manual(5ea area), WiseStreamIII(Based on AI engine)
Bitrate Control	H.264/H.265: CBR or VBR MJPEG: VBR
Streaming	Unicast(20 users) / Multicast Multiple streaming(Up to 10 profiles)
Protocol	IPv4, IPv6, TCP/IP, UDP/IP, RTP(UDP), RTP(TCP), RTCP, RTSP, NTP, HTTP, HTTPS, SSL/TLS, DHCP, FTP, SFTP, SMTP, SMTPS ICMP, IGMP, SNMPv1/v2c/v3(MIB-2), ARP, DNS, DDNS, QoS, UPnP, Bonjour, LLDP, CDP, SRTP (TCP, UDP Unicast), MQTT
Application Programming Interface	ONVIF Profile S/G/T/M SUNAPI(HTTP API)
Security	
OS / Firmware Protect	Encrypted Firmware, Secure boot, Signed Firmware
User authentication	Digest Authenticon, Prevent brute-force attack
Network authentication	IEEE 802.1X (EAP-TLS, EAP-LEAP, EAP-PEAP, MSCHAPv2)
Secure Communication	HTTPS, WSS (WebSocket Secure), SRTP
Access Control	IP-based access control, MAC-based access control
Data Protect	Encryption Credentials, Encrypt compress for live recording file export
Audit	Access / System / Event Log management
Device ID	Device certificate (Hanwha Techwin Root CA)
Secure Storage	TPM(Trusted platform module), SDcard partition encrypt
Security Certificate	TPM with FIPS 140-3 level 3
General	
Edge Storage	Micro SD/SDHC/SDXC 2slot 1TB
Memory	8GB RAM, 16GB EMMC
Environmental & Electrical	
Operating Temperature / Humidity	-40°C~+55°C (-40°F~+131°F) / 0~100% RH(condensing) Humidity control /w Air vent
Storage Temperature / Humidity	-50°C~+60°C(-58°F~+140°F) / 0~95% RH(non-condensing)
Input Voltage	PoE++(IEEE802.3bt type3, Class6, Injector not included), DC12V
Power Consumption	PoE++ : Max 44.3W, Typical 24.9W 12VDC : Max 35.4W, Typical 19.6W

Design and specifications are subject to change without notice. The latest product information / specification can be found at HanwhaVision.com.

Hanwha Vision is formerly known as Hanwha Techwin.

Mechanical

Color / Material	White / Aluminum, PC(Polycarbonate)
RAL Code	RAL9003
Product Dimensions / Weight	193.5x193.5x532mm(7.62"x7.62"x20.94"), 8100g(17.86lb)

Certifications & Standards

EMC	FCC 47 CFR 15 Subpart B Class A ICES-3(A)/NMB-3(A) CE/UKCA - EN 55032 Class A, EN 50130-4, EN 61000-3-2, EN 61000-3-3 RCM AS/NZS CISPR 32 Class A KS C 9832 Class A, KS C 9835
Safety	UL 62368-1, CAN/CSA C22.2 NO. 62368-1 IEC/EN 62471
Environment	IEC/EN 63000 IEC/EN 60529 IP66/IP67, IEC/EN 62262 IK10 NEMA 250 type 4X

DORI (EN62676-4 standard)

Detect (25PPM/ 8PPF)	Wide: 587.1m(1,926.3ft) / Tele: 2,646.4m(8,682.3ft)
Observe (63PPM/ 19PPF)	Wide: 234.9m(770.5ft) / Tele: 1,058.6m(3,472.9ft)
Recognize (125PPM/ 38PPF)	Wide: 117.4m(385.3ft) / Tele: 529.3m(1,736.5ft)
Identify (250PPM/ 76PPF)	Wide: 58.7m(192.6ft) / Tele: 264.6m(868.2ft)

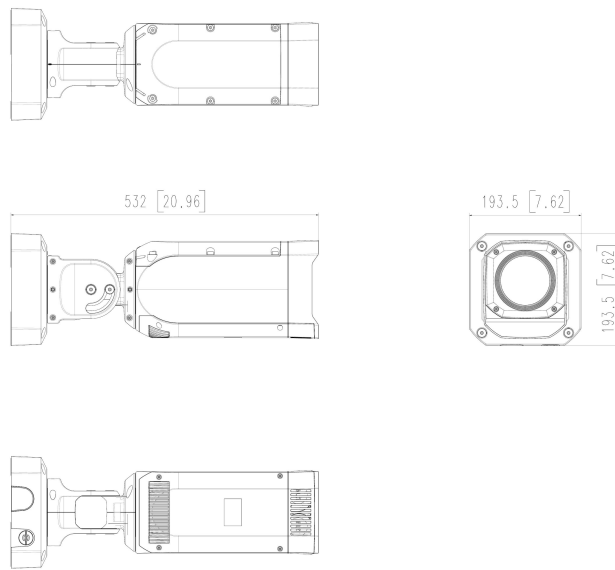
TNO-A26081

Ultra-resolution 26MP T AI camera



CAD

Unit:mm [inch]



1	TNO-A26081	'24.10.25
No.	MODEL NAME	DATE
Unit:mm[inch]	SCALE:1/1	Hanwha Vision

© Hanwha Vision Co.,Ltd. All rights reserved.