

# SBP-160TMW1

Tilt Mount



## Key Features

- Material: Aluminum
- Dimensions : Ø160.0 x 57.6mm (6.30" x 2.27")
- Weight : 325g (0.72 lb)
- Color : White
- Supported products : XNF-9010RV
- For further compatible models, please check out Wisenet Toolbox Plus

# SBP-160TMW1

Tilt Mount



## Specifications

### Environmental

Operating Temperature / Humidity -50°C ~ +60°C(-58°F ~ +140°F) / Less than 100% RH

Storage Temperature / Humidity -50°C ~ +60°C(-58°F ~ +140°F) / Less than 100% RH

### Mechanical

Color White

Material Aluminum

RAL code RAL9003

Product dimensions / weight Ø160.0x57.6mm(6.30x2.27"), 325g(0.72 lb)

Supported products XNF-9010RV  
※ For further compatible models, please visit our website or use Toolbox

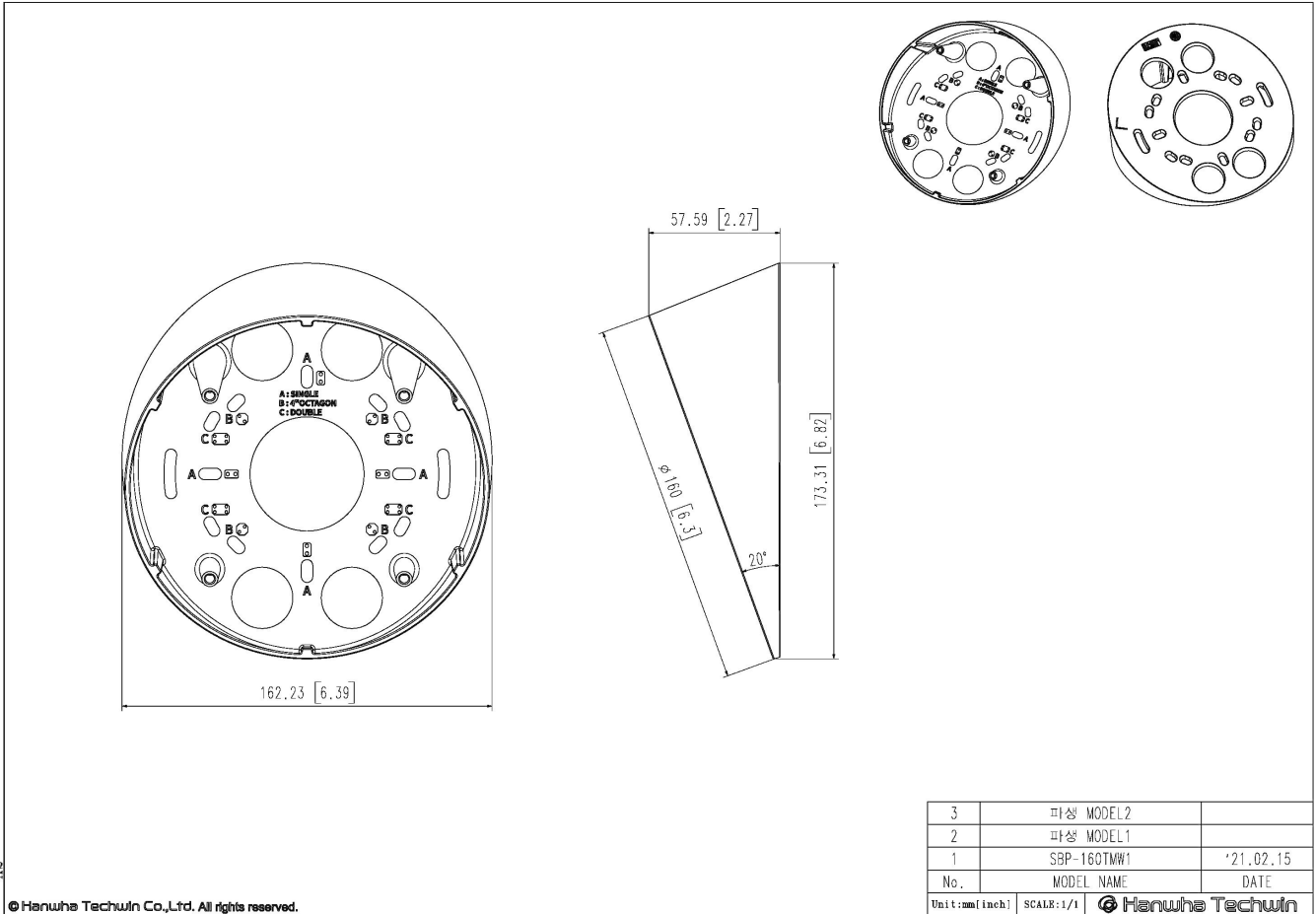
# SBP-160TMW1

Tilt Mount



CAD

Unit:mm [inch]



A2

© Hanwha Techwin Co.,Ltd. All rights reserved.