

SBD-140PMB

Pole Mount



Key Features

- Product dimensions / Weight: 121x70mm (4.76x2.76") / 56g (0.12lb)
- Material: SUS304
- RAL code: RAL9003
- Mount Screw size: TR20

Compatible Accessories (Optional)



SBD-140PMB

Pole Mount



Specifications

Mechanical	
Color	White
Material	SUS304
RAL code	RAL9003
Product dimensions / weight	121x70mm (4.76x2.76") / 56g (0.12lb)
Mount Screw size	TR20
Supported products	QNV-C8011R/C8012/C9011R, QNV-C8083R/C9083R, QND-6011/6021, QND-8011/8021, QNF-8010/9010, QND-6012R(1)/6022R(1)/6072R(1)/6082R(1), QND-7012R/7022R/7082R, QNE-8011R/8021R, LND-6012R/6022R/6072R, ANE-L6012R/L7012R

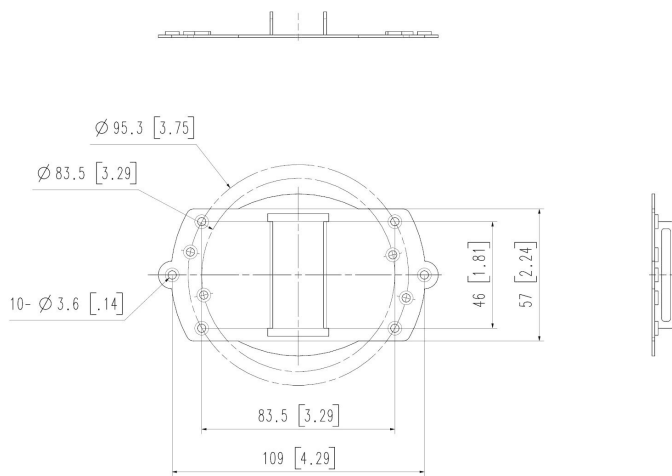
SBD-140PMB

Pole Mount



CAD

Unit:mm [inch]



3	MODEL2	
2	MODEL1	
1	SBD-140PMB	'23.06.12
No.	MODEL NAME	DATE
Unit:mm[inch] SCALE:1/1		Hanwha Vision

© Hanwha Vision Co.,Ltd. All rights reserved.