



Network

Bullet

ANO-L7082R

4MP IR Bullet Camera



Key Features

- Maximum 4MP resolution
- Color : 0.1Lux (F1.6, 1/30sec) BW : 0Lux (IR LED on)
- 3.3~10.3mm(3.1x) motorized varifocal
- Maximum 30fps@4MP all resolutions (H.264/H.265)
- H.264/H.265, MJPEG codec supported, Multiple streaming
- Day & Night (ICR), WDR (120dB)
- Tampering, Motion detection, Defocus detection, Virtual area(Intrusion/Enter/Exit), Virtual line(Crossing/Direction)
- Micro SD/SDHC/SDXC 1slot 128GB, PoE
- Hallway view (90°/270°), WiseStream II support
- IR viewable length 30m(98.43ft)
- IP66 support

ANO-L7082R

4MP IR Bullet Camera



Specifications

Video

Imaging Device	1/2.8" CMOS
Resolution	2560 x 1440, 1920 x 1080, 1280 x 960, 1280 x 720, 800 x 600, 800 x 448, 720 x 576, 720 x 480, 640 x 480, 640 x 360, 320 x 240
Max. Framerate	H.265/H.264 : Max. 30fps at 4M all resolutions MJPEG : Max. 15fps
Min. Illumination	Color : 0.1Lux (F1.6, 1/30sec) B/W : 0Lux (IR LED On)

Lens

Focal Length (Zoom Ratio)	3.3~10.3mm(3.1x) motorized varifocal
Max. Aperture Ratio	F1.6(Wide) ~ F3.3(Tele)
Angular Field of View	H: 94.8°(Wide) ~ 28.1°(Tele) V: 50.2°(Wide) ~ 15.8°(Tele) D: 112.9°(Wide) ~ 32.2°(Tele)
Min. Object Distance	0.5m(1.64ft)
Focus Control	Simple focus
Lens Type	DC auto iris

Operational

Camera Title	Displayed up to 85 characters
Day & Night	Auto(ICR)
Backlight Compensation	BLC, WDR, SSSR
Wide Dynamic Range	120dB
Digital Noise Reduction	SSNR
Motion Detection	4ea, polygonal zones
Privacy Masking	6ea, rectangular zones
Gain Control	Low / Middle / High
White Balance	ATW / AWC / Manual / Indoor / Outdoor
LDC	Support
Electronic Shutter Speed	Minimum/Maximum/Anti flicker (1/5~1/12,000sec)
Video Rotation	Flip, Mirror, Hallway view(90/270)
Analytics	Defocus detection, Motion detection, Tampering, Virtual area(Intrusion/Enter/Exit), Virtual line(Crossing/Direction)
Alarm Triggers	Analytics, Network disconnect
Alarm Events	File upload via FTP and e-mail, Notification via e-mail, SD/SDHC/SDXC or NAS recording at event triggers, Handover
IR Viewable Length	30m(98.43ft)

Network

Ethernet	RJ-45 (10/100BASE-T)
Video Compression	H.265/H.264 : Main/High, MJPEG
Smart Codec	Manual (Sea area), WiseStream II
Bitrate Control	H.264/H.265 : CBR or VBR MJPEG : VBR
Streaming	Unicast (6 users) / Multicast Multiple streaming (Up to 3 profiles)

Protocol	IPv4, IPv6, TCP/IP, UDP/IP, RTP(UDP), RTP(TCP), RTCP, RTSP, NTP, HTTP, HTTPS, SSL/TLS, DHCP, PPPoE, FTP, SMTP, ICMP, IGMP, SNMPv1/v2c/v3(MIB-2), ARP, DNS, DDNS, QoS, PIM-SM, UPnP, Bonjour, LLDP
Security	HTTPS(SSL) Login Authentication Digest Login Authentication IP Address Filtering User access log 802.1X Authentication(EAP-TLS, EAP-LEAP)
Application Programming Interface	ONVIF Profile S/G/T, SUNAPI (HTTP API)

General

Webpage Language	English
Edge Storage	Micro SD/SDHC/SDXC 1slot 128GB
Memory	512MB RAM, 256MB Flash

Environmental & Electrical

Operating Temperature / Humidity	-30°C ~ +55°C (-22°F ~ +131°F) / Less than 95% RH * Start up should be done at above -20°C (-4°F)
Storage Temperature / Humidity	-30°C ~ +55°C (-22°F ~ +131°F) / Less than 95% RH
Certification	IP66
Input Voltage	PoE(IEEE802.3af, Class3)
Power Consumption	Max 8.0W, typical 6.0W

Mechanical

Color / Material	White / Plastic
RAL Code	RAL9003
Product Dimensions / Weight	Ø78.0x262.0mm(Ø3.07x10.31"), 390g(0.86lb)

DORI (EN62676-4 standard)

Detect (25PPM/ 8PPF)	Wide: 47.1m(154.46ft) / Tele: 204.6m(671.23ft)
Observe (63PPM/ 19PPF)	Wide: 18.8m(61.79ft) / Tele: 81.8m(268.37ft)
Recognize (125PPM/ 38PPF)	Wide: 9.4m(30.89ft) / Tele: 40.9m(134.25ft)
Identify (250PPM/ 76PPF)	Wide: 4.7m(15.45ft) / Tele: 20.5m(67.25ft)

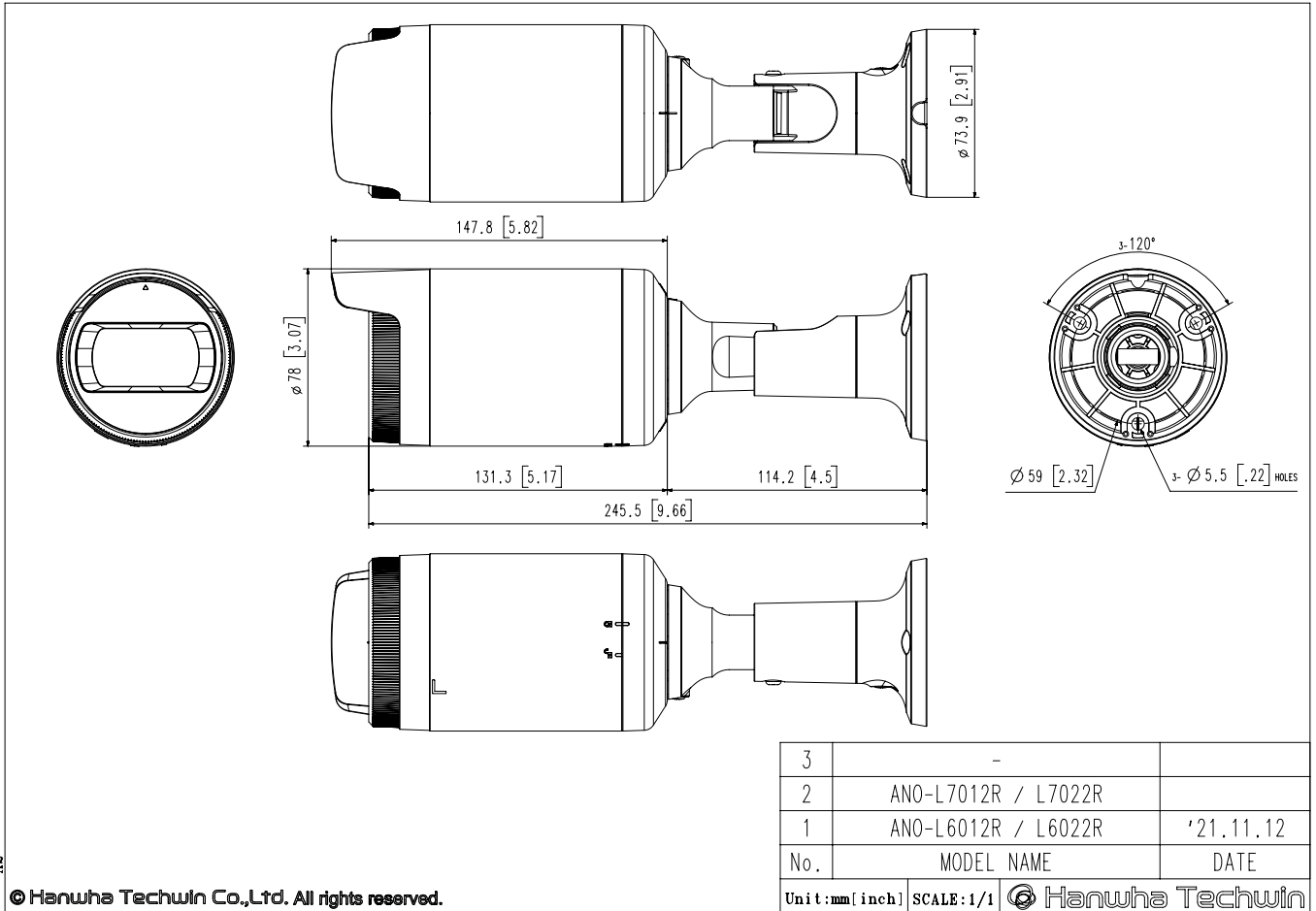
ANO-L7082R

4MP IR Bullet Camera



CAD

Unit: mm [inch]



A2

© Hanwha Techwin Co., Ltd. All rights reserved.