



Main Features

- Powered by 12/13th Gen Intel® Core™ CPU
- Fanless, compact and rugged design
- Designed with DDR5, excellent memory bandwidth, lower latency
- 2 x 2.5" SSD for data integrity (compatible with 15mm disk)
- 5G/Wi-Fi, PoE, 10GbE, daughter board expansion support
- 4 x Independent 10/100/1000/2500 Mbps PoE 802.3af/at, total 60W (nROK 7271-WIC4) / 30W (nROK 7271-WIC4-C8S)
- Additional 8-port LAN M12 X-coded, 10/100/1000 Mbps Ethernet Switch GbE, PoE 802.3af/at, max. 30W (nROK 7271-WIC4-C8S)
- EN 50155, class OT3 conformity
- Wide voltage input 24~110VDC (w/ isolation)
- Optional up to 3-sec protection against temporary voltage dips

Specifications

CPU

- Intel® 12/13th Gen Core™ CPU (65W/35W), Chipset: Intel R680E, Graphics: Intel® UHDGraphics770,1.55GHz

Memory

- 2 x 262-pin SO-DIMM, DDR5 4800MHz
- 64GB in max., ECC & dual-channel support

Video Output

- 1 x HDMI 2.0a/b, up to 3840 x 2160@60Hz
- 1 x VGA, up to 1920 x 1200@60Hz

Storage

- 2 x 2.5" SATA 3.0 external SSD (15mm height, removable)
- 1 x mSATA (occupied mini-PCIe slot)
- 2 x M.2 Key B (occupied M.2 socket)
- 1 x microSD card slot, SDXC v3.01

Expansion

- 1 x Full size mini-PCIe socket (USB 2.0, PCIe 3.0/SATA 3.0)
- 2 x M.2 3042/3050/3052 Key B socket (USB 2.0, USB 3.2 Gen 2, SATA 3.0) for LTE/5G NR module with 1 x external dual nano-SIMs
- 1 x M.2 2230 Key E socket (USB 2.0, PCIe 3.0 x2), BOM optional M.2 2230 Key E socket (USB 2.0, PCIe 3.0, PCIe 3.0)
- Additional expansion for nROK 7271-WI-H:
 - 1 x Full size mini-PCIe socket (USB 2.0, PCIe 3.0), BOM optional M.2 2230 Key E socket (USB 2.0, PCIe 3.0)
 - 2 x M.2 3042/3050/3052 Key B socket (USB 2.0, USB 3.2 Gen 1) for LTE/5G NR module with 2 x external dual nano-SIMs

GNSS and Onboard Sensor

- 1 x Default U-blox NEO-M9N GNSS module for GPS+QZSS/Glonass/Galileo/Beidou
- 1 x 3D accelerometer and 3D gyroscope

LAN and Power over Ethernet

- nROK 7271-WIC4 / nROK 7271-WIC4-C8S:
 - 1-port LAN M12 X-coded, 10/100/1000/2500 Mbps Intel® I226 GbE (support WOL)
 - 4-port Independent LAN M12 X-coded, 10/100/1000/2500 Mbps I226-IT GbE, PoE 802.3af/at, max. 60W (nROK 7271-WIC4) / 30W (nROK 7271-WIC4-C8S) (non-isolation)
- nROK 7271-WI / nROK 7271-WI-H:

- 2-port LAN M12 X-coded, 10/100/1000/2500 Mbps Intel® I226 GbE (support WOL)
- Additional PoE for nROK 7271-WIC4-C8S:
 - 8-port LAN M12 X-coded, 10/100/1000 Mbps Ethernet Switch GbE, PoE 802.3af/at, max. 30W (isolation)

Security

- TPM 2.0: InfineonSLB9665TT2.0FW5.62

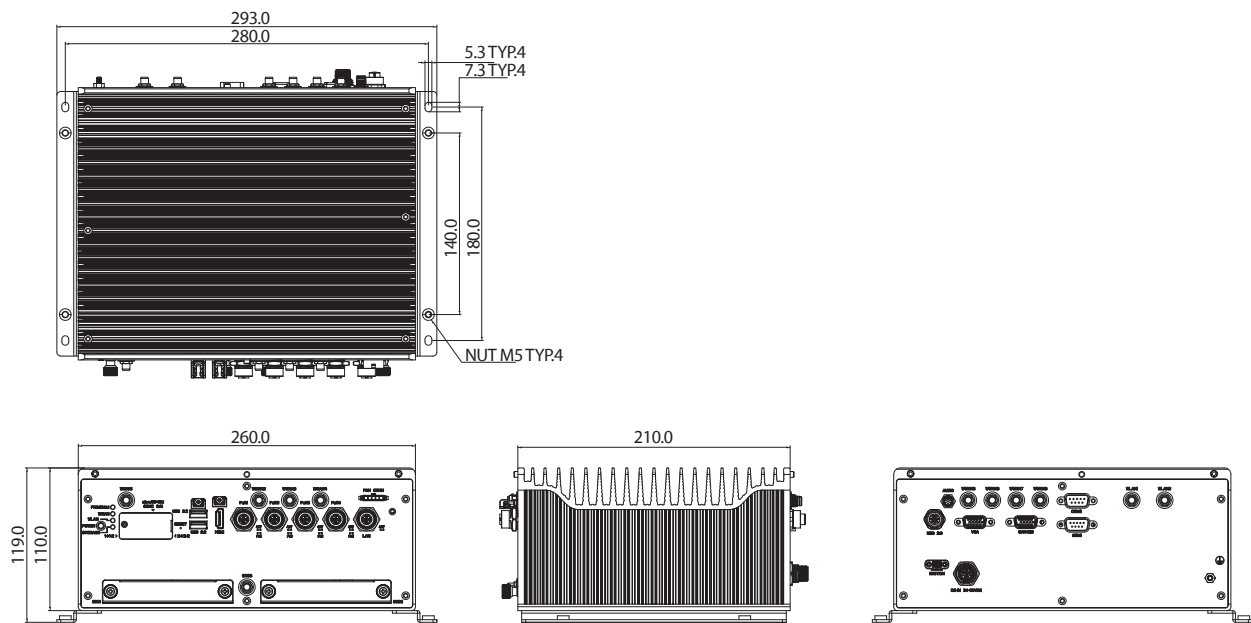
I/O Interface-Front

- 4 x LED indicators (storage/WWAN/WLAN/programmable)
- 1 x HDMI 2.0a/b
- 2 x USB 3.2 Gen 2 type A (5V/0.9A)
- 2 x Externally accessible dual nano-SIM card sockets with cover
- 1 x microSD card slot with cover
- 2 x 2.5" removable SSD tray
- 1 x Reset button
- 1 x Power button
- nROK 7271-WIC4/nROK 7271-WIC4-C8S:
 - 1 x M12 X-coded LAN port
 - 4 x M12 X-coded PoE 802.3af/at
- nROK 7271-WI/nROK 7271-WI-H:
 - 2 x M12 X-coded LAN port
- 1 x Fan power connector
- 1 x SMA connector for GNSS
- 4 x SMA connector holes for WWAN
- 8 x PoE 802.3af/at, M12 X-coded (nROK 7271-WIC4-C8S)
- 2 x Externally accessible dual nano-SIM card sockets with cover, 8 x SMA connector holes for WWAN, and 2 x RP-SMA connector holes for WLAN (nROK 7271-WI-H)

I/O Interface-Rear

- 1 x VGA
- 1 x M12 A-coded 8-pin for 2 x USB 2.0
- 1 x M8 (AUDIO) for 1 x Mic-in, 1 x Line-out
- 2 x DB9 (COM1/2) for full RS232/422/485 (isolation)
- 1 x DB15 (CAN/DIO)
 - 2 x Isolated CAN FD, compatible with CAN2.0A/2.0B
 - 4 x DI and 4 x DO (isolation), power in source for DIO isolation, 14~48VDC
- 1 x M12 K-coded 5-pin for power input
- 1 x Connector 2-pin for ignition input

Dimension Drawing



- 4 x SMA connector holes for WWAN
 - 2 x RP-SMA connector holes for WLAN
- ### Power Management & Software Support
- Power input 24~110VDC w/ isolation
 - Optional 2.2~3 sec (170W~120W) protection against temporary voltage dips (occupied rear side expansion)
 - Selectable boot-up & shut-down voltage for low power protection by software
 - Setting 8-level power on/off delay time by software
 - Support S3/S4 suspend mode
 - 10~255 seconds WDT support, setup by software
 - SDK (Windows/Linux) including utility and sample code

Operating System

- Windows 11/Windows 10/Linux

Dimensions

- 260 x 210 x 110 (W x D x H) (mm)

Weight

- nROK 7271-WIC4: 7.2kg (TBD)
- nROK 7271-WIC4-C8S: (TBD)
- nROK 7271-WI: (TBD)
- nROK 7271-WI-H: (TBD)

Environment

- Operating temperatures
 - EN 50155, class OT3 (-35°C ~70°C), 85°C for 10 minutes (w/ 35W TDP CPU, 60W PoE, 8GB memory, industrial SSD) with air flow
- Storage temperatures: -40°C to 80°C
- Relative humidity: 90% (non-condensing)
- Vibration (random)
 - 2g@5~500 Hz (in operation, SSD)
- Vibration (SSD)
 - Operating: MIL-STD-810H, Method 514.8C, Procedure 1, Category 4, common carrier US highway truck vibration exposure
 - Storage: MIL-STD-810H, Method 514.8E, Procedure 1, Category 24, minimum integrity test
- Shock (SSD)
 - Operating: MIL-STD-810H, Method 516.8, Procedure I, functional shock=40g
 - Non-operating: MIL-STD-810H, Method 516.8, Procedure V, crash hazard shock test=75g

Certifications

- CE/UKCA/FCC Class A
- EN 50155: 2017
 - Ambient temperature EN 50155, Class OT3 (-35°C ~70°C), 85°C for 10 minutes
 - Interruptions of voltage supply class S1
 - Supply change over class C1
 - EMC EN 50121-1: 2017, EN 50121-3-2: 2016+A1: 2019
 - Environment EN 60068-2-1, EN 60068-2-2, EN 60068-2-30
 - Shock and vibration IEC 61373 Class B
 - Protective coating class PC1 (PC2, by request)
- EN 45545-2: 2020 (PCB)

Options

- Intel® Core™ CPU:
 - i9-12900E/12900TE, Core: 16c, Max Freq.: 5.0/4.8GHz, TDP: 65W/35W
 - i7-12700E/12700TE, Core: 12c, Max Freq.: 4.8/4.6GHz, TDP: 65W/35W
 - i5-12500E/12500TE, Core: 6c, Max Freq.: 4.5/4.3GHz, TDP: 65W/35W
 - i3-12100E/12100TE, Core: 4c, Max Freq.: 4.2/4.0GHz, TDP: 60W/35W
- SO-DIMM DDR5-4800MHz:
 - 64GB (in the future), 32GB, 16GB, 8GB
- FAN Kit
 - Model No.: VTK FAN120-01, Description: 120mmx120mm, 60W heat dissipate, P/N: 10VK00FAN00X0
 - * Note: 65W CPU should be bundled with fan kit

Ordering Information

- **nROK 7271-WIC4 (P/N: TBD)**
System bare-bone. Intel® 12/13th Gen CPU with DDR5, DC input 24~110VDC (w/ isolation), 1 x LAN M12 X-coded, 4 x PoE M12 X-coded, 2 x CAN FD
- **nROK 7271-WI (P/N: TBD)**
System bare-bone. Intel® 12/13th Gen CPU with DDR5, DC input 24~110VDC (w/ isolation), 2 x LAN M12 X-coded, 2 x CAN FD
- **nROK 7271-WIC4-C8S (P/N: TBD)**
System bare-bone. Intel® 12/13th Gen CPU with DDR5, DC input 24~110VDC (w/ isolation), 1 x LAN M12 X-coded, 12 x PoE M12 X-coded, 2 x CAN FD
- **nROK 7271-WI-H (P/N: TBD)**
System bare-bone. Intel® 12/13th Gen CPU with DDR5, DC input 24~110VDC (w/ isolation), 2 x LAN M12 X-coded, 2 x CAN FD, additional 1 x Full size mini-PCIe socket and 2 x M.2 3042/3050/3052 Key B socket