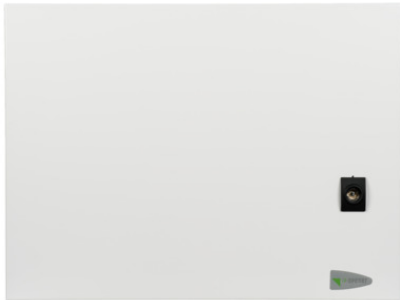


GM-PSIPOP-G metal cabinet with power supply for IP-Opener controllers



Reference: GM-PSIPOP-G
Product code: 20780125
EAN code: 3760248202754



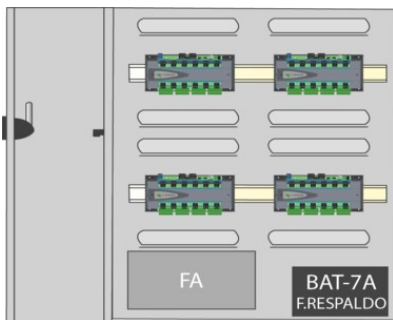
Main characteristics

- Metal cabinet with lock
- To accommodate 4 controllers and 4 expander modules
- Incorporates 12Vdc/7A power supply unit
- Allows to house a BAT-7A battery
- Tamper
- Weight: 7400gr

Dimensions: 456(W) x 505(H) x 100(D) mm

More information

It allows significant space savings and power management and offers a compact solution.



Visit in the website: <https://www.golmar.es/products/gm-psi-pop-g>

Golmar Sistemas de Comunicación S.A.

Silici 13 • 08940 Cornellà de Llobregat (Barcelona) • Tel: +34 934 800 696 • Fax: +34 934 742 404 • golmar@golmar.es • www.golmar.es

GM-PSIPOP-G metal cabinet with power supply for IP-Opener controllers



Specifications	
Input voltage (Vac)	230
Output voltage (Vdc)	12
Adjustable output voltage	Yes
Output current (A)	7
Ground terminal	Yes
Electrical protection	Short circuit,Overvoltage
With backup battery	Yes
Batteries included	No
Battery charger	Yes
Dimensions - High (mm)	456
Dimensions - Width (mm)	505
Dimensions - Deep (mm)	100
Weight (gr.)	7400

Accessories

- 1 door access control panel GM-IPOP-1P
- 4 door access control panel GM-IPOP-4P
- Rechargeable lead acid battery 12V/7Ah
- 2 door access control panel GM-IPOP-2P
- 2 door access control panel GM-IPOP-2P-WIEG

Visit in the website: <https://www.golmar.es/products/gm-psipop-g>