

Long Range PoE Extender over Coax

The POE-IPC-600x-Kits comprise of the PoE transmitter and receiver units and provide a cost effective solution for migration to IP camera transmission without the need for re-cabling to Cat5/6 cabling. By adopting innovative technology, the range of these units extends 802.3af/at compliant Power and Ethernet transmission up to 600 metres over coaxial cable and provides this as an RJ45 PoE interface.

Features

- Long Range PoE Extender over coax up to 600m
- One to many Application
- 10/100 Mbps full duplex data speeds
- Wide Operating Temperature range
- PoE (Power-over-Ethernet) to IEEE 802.3af/at Standard
- Compact Size
- High Density 19" Rack mount compatible options

Applications

One to One Application

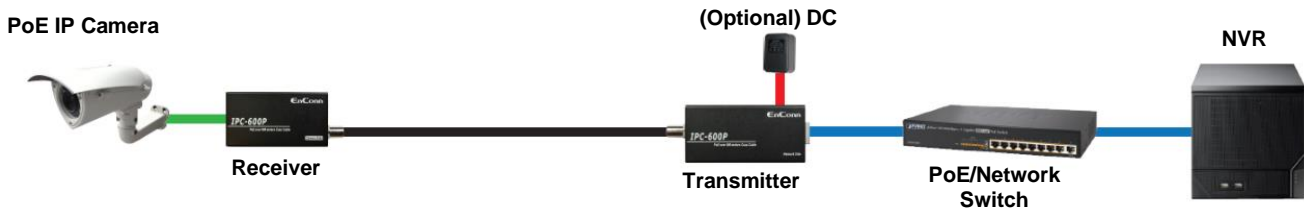
Using these kits a distance of up to 600m can be achieved over a single coaxial cable.



**Transmitter
(Network Side)**

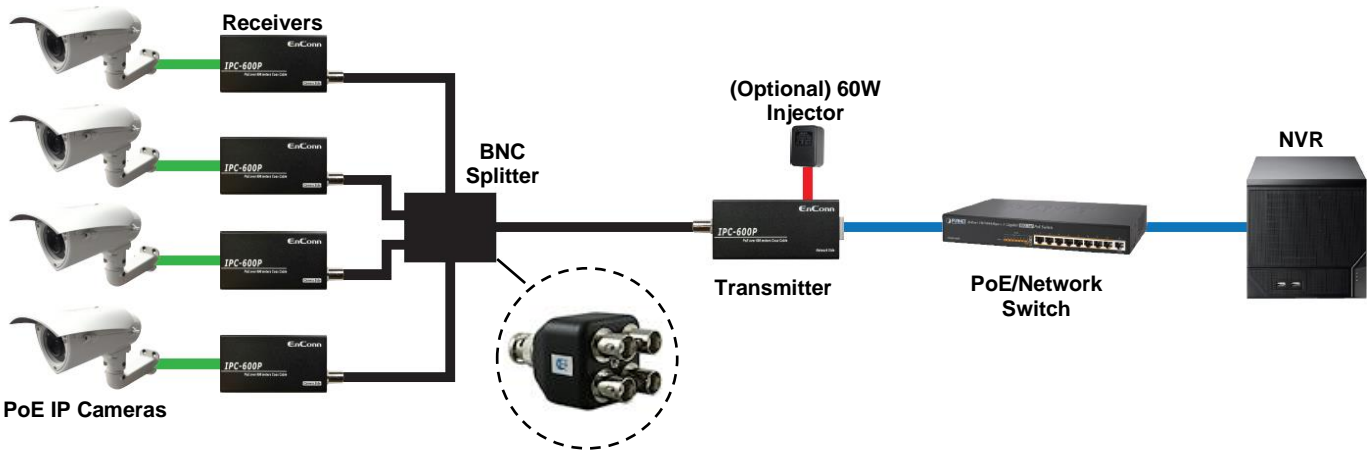


**Receiver
(Camera Side)**

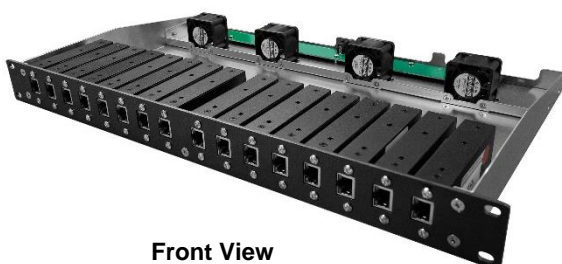


One to Many Application

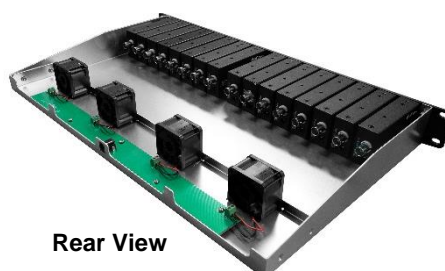
With the use of BNC Splitter, a one to many application can be achieved. Ideally the splitter should be placed near the transmitter to maximise transmission distance.



High Density 19" 1RU Rack mountable Option



Front View



Rear View

Typical Transmission Distance with PoE

Total Power of PDs (Watts)	Metres (RG59/U) 60 Watt PSE	Metres (RG59/U) 30 Watt PSE	Metres (RG59/U) 15.4 Watt PSE
4.5	600	600	600
6	520	520	520
8	428	428	x
10	356	356	x
15	256	256	x
20	199	199	x
25	163	x	x
30	138	x	x
35	120	x	x

Note: Actual Distance depends on type of Coaxial cable, power source and termination method used and site specific noise environment encountered. Local power can be used for higher power devices to extend range.

Specifications

Electrical Specifications		
	Transmitter (Network Side)	Receiver (Camera Side)
Model	POE-IPC-600T	POE-IPC-600R
Standard	IEEE 802.3af/IEEE 802.3at	
Data Speed	10/100 Mbps Full Duplex	
Ethernet Cable	Up to 100m	Up to 100m
Transmission Distance	Up to 600m* / Data Up to 900m*	
PoE Voltage Input	IEEE802.3af/at, 48VDC 60W Max	48VDC 30W Max
PoE Consumption	3W (Typical)	2.6W (Typical)
Interface		
Ethernet	RJ-45 Power + Data (PoE In)	RJ-45 Power + Data (PoE Out)
Coaxial	BNC Power + Data	BNC Power + Data
DC Input	DC Jack 2.1 x 5.5mm	1 DC Jack 2.1 x 5.5mm
Mechanical and Environment Specifications		
Dimension	90 (L) x 42 (W) x 22 (H) mm	80 (L) x 42 (W) x 22 (H) mm
Weight	131g	120g
Operating Temperature	0 ~ 60 Degree C	-10 ~ 60 Degree C
Operating Humidity	10 ~ 90% (non-condensing)	
Certification	CE, FCC, C-Tick	

Specifications subject to change without notice.

Ordering Information

Part Number:	
POE-IPC-6001-KIT	1 Transmitter, 1 Receiver
POE-IPC-6001A-KIT	1 Transmitter, 1 Receiver (inc. 1 x Power Injector + IEC Cable)
POE-IPC-6002-KIT	1 Transmitter, 2 Receiver (inc. 1 x Power Injector + IEC Cable) and 1 Splitter
POE-IPC-6003-KIT	1 Transmitter, 3 Receiver (inc. 1 x Power Injector + IEC Cable) and 1 Splitter
POE-IPC-6004-KIT	1 Transmitter, 4 Receiver (inc. 1 x Power Injector + IEC Cable) and 1 Splitter
POE-IPC-600T	Transmitter Unit (Network Side)
POE-IPC-600R	Receiver Unit (Camera Side)
EC4BNC	4 Way BNC Splitter
PWR-60-48	60 Watt 48VDC Power Injector + IEC Cable
EC-1600	19" Rack Mount 1RU Chassis – unloaded (fits up to 16 Transmitters)

Contact Details:

 EQL Networks & Security

T : +61 2 9824 5680
 F : +61 2 9824 5685
 W : www.eql.com.au
 E : sales@eql.com.au